



The Bianco 2.0 end suction peripheral turbine pump is an ideal device for low flow applications. They are especially suited for jacking pumps, commercial and industrial washdowns as well as domestic gardening. They are also ideal for tank water transfer.

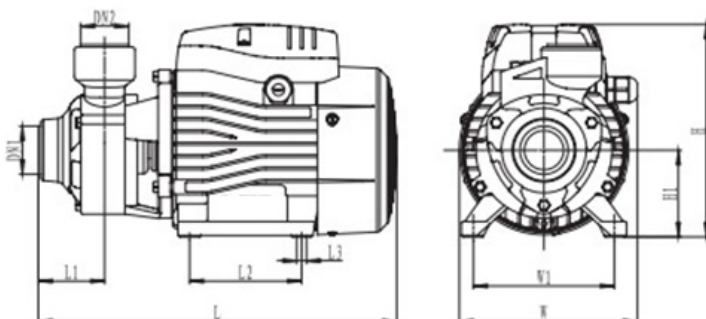
Suitable for clean water and in applications where there is flooded suction

The pump has the following features and benefits

- Corrosion resistant pump body and impeller to ensure pump durability
- Cataphoresis<sup>1</sup> treatment of pump body for rust prevention to ensure no water discoloration or suspended particles
- High quality mechanical shaft seal and high quality bearings
- 240V single phase TEFC motor with in-built auto reset thermal overload to prevent the pump from overheating.

1. Cataphoresis is an electrochemical coating process for metallic surfaces widely used in the industry due to its penetration and long life, either as a priming coat or finished paint for corrosion resistance.

Liquid:	Electrical data:
Liquid Type: Clean Water Clean water temperature range: 2 – 40°C	Rated voltage: 220 (-6%) -240V (+6%) Mains frequency: 50 Hz P2 (kW): 0.6 (Shaft Power) Current: 4.5 amps Capacitor: 16 uF Motor duty: Continuous Motor type: Asynchronous, TEFC Motor protection: In-built thermal overload
Materials:	Hydraulic Data:
Pump body, Cast Iron (Cataphoresis treated) Impeller : Brass (Zinc Free) Mechanical seal: Carbon/Ceramic/Nitrile O rings: Nitrile Power Cable: 2m Cable H05 3G1.0	Max Head: 58m Max Flow: 58 l/min Number taps: 4
Installation:	Ingress protection: IP X4 Insulation class: F Net weight: 9 kg
Maximum ambient temperature: 40°C Maximum operating pressure: 6 bar Pipe connections suction/discharge: 1" BSPF / 1" BSPE Dimensions: 315mm L x 210mm H x 190mm W	



DN1	DN2	L (mm)	W (mm)	H (mm)	L1 (mm)	L2 (mm)	W1 (mm)	H1 (mm)	L3 (mm)
1"	1"	282	147	183	51	90	112	71	8.5

